

# 壓力傳送器

(PRESSURE TRANSMITTER)

MODEL  
SPL



## ■特點(FEATURES)

- 精確度±0.5%,滿刻度 (Accuracy±0.5%, F.S.)
- 寬範圍(-25~+85°C)溫度完全補償功能(Field-temperature compensation function(-25 to +85°C))
- 感測頭使用陶瓷壓阻式壓力元件配合不鏽鋼(SUS316)材質  
(Thick film strain gage on ceramic and stainless steel(SUS316))
- 壓力範圍-1至250 bar(Pressure range from -1 to 250 bar)
- 超快速反應時間小於5ms(Response time <5milli seconds)
- 輸出DC4~20mA負載能力強(Output DC4~20mA RL(max.)<[(Vs-9V)/0.02A]Ω)
- 防護等級NEMA4/IP68(Protection class NEMA4/IP68)

## 1.MODEL:SPL-□ □ □ □ - □ □

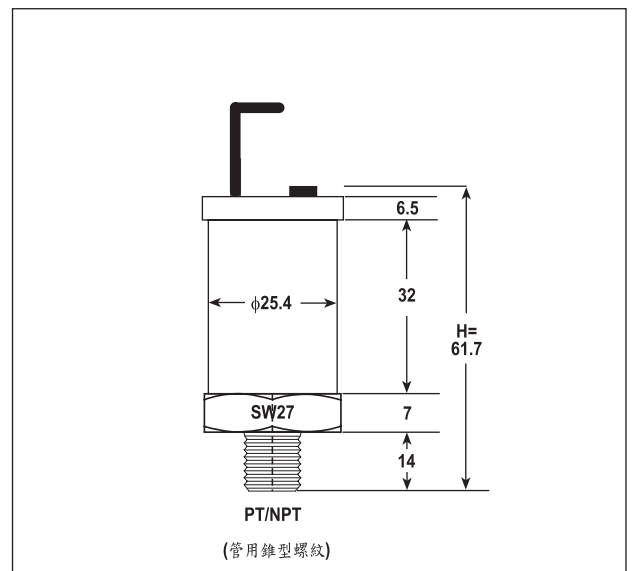
(選購型號)

NO	Pressure Type	NO	Pressure Range	NO	Pressure Range	NO	Pressure Range	NO	Pressure Range	NO	Output cable length	NO	Pressure connection
G	Gauge	1001	0~1.0 bar	6001	0~6.0 bar	4002	0~40 bar	2503	0~250 bar	A	1.8M(standard)	1	1/4" PT
A	Absolute	1601	0~1.6 bar	1002	0~10 bar	6002	0~60 bar	x102	-1~0 bar	B	Customer	2	1/4" NPT
		2501	0~2.5 bar	1602	0~16 bar	1003	0~100 bar	xxxx	Customer		*3 cond.+shield #28AWG,PVC	3	1/2" NPT
		4001	0~4.0 bar	2502	0~25 bar	1603	0~160 bar					9	Customer

## 2.SPCIFICATION (主要規格)

- Two-wire supply voltage input : DC10 to 30V  
(兩線式工作電壓輸入)
- Measuring accuracy : < ±0.5% F.S.(25±10°C)  
(精確度)
- Repeatability accuracy : < ±0.1% F.S.  
(重複性精度)
- Maximum permissible over pressure : Maximum 2 x rated(<160Bar)  
Maximum 1.5 x rated(>160Bar)  
(最大允許過載壓力)
- Burst pressure : 3 x rated (<100Bar)  
(破壞壓力) 2.25 x rated (>100Bar)
- Response time : <5ms (10~90%)  
(輸出反應速度)
- Output drive capability : <[(Vs-9V)/0.02A]Ω  
(輸出負載能力)
- Output ripple(p-p) : <0.1% F.S.  
(輸出漣波)
- Zero(offset) range : 0~±5% F.S.  
(歸零調整範圍)
- Span(scale) range : 0~±5% F.S.  
(最大值調整範圍)
- Diaphragm materials : Ceramic Al2O3-96%  
(壓力感應膜片材質)
- Pressure port materials : Stainless steel 1.4401(SUS316)  
(壓力接口材質)
- Housing materials : Stainless steel 1.4301(SUS304)  
(壓力本體材質)
- Seale(media wetted)materials : NBR<10 Bar  
PVDF>10 Bar  
(密封材質)
- Thermal span shift : ±0.04% F.S./°C  
(熱感度溫度漂移)
- Thermal zero shift : ±0.04% F.S./°C  
(熱零點溫度漂移)
- Zero point long term stability : ±0.2% F.S./year(<160 Bar)  
±0.3% F.S./year(>160 Bar)  
(零點長期穩定度)(23±5°C)
- RFI protection : 2W-150MHz at 2 meter causes less  
than 0.5% change in output  
(RFI保護)
- Operating temperature range : -25 to 85°C  
(工作溫度)
- Storage & medium temperature range : -40 to 125°C  
(儲存與接液溫度)
- CE EMC Certification : EN 55022:1998/A1:2000 Class A  
(CE 認證)  
EN 61000-3-2:2000  
EN 61000-3-3:1995/A1:2001  
EN 55024:1998/A1:2001

## 3.DIMENSION(unit:mm) (外型尺寸)



## 4.TERMINAL CONNECTION (接線圖)

