

超薄型兩線式類比信號隔離傳送器

(ULTRA SLIM TYPE TWO-WIRE ANALOG SIGNAL ISOLATED TRANSMITTER)

MODEL
SSMA-T



HM-1
(24x48x48.5mm)

■特點(FEATURES)

- 精確度0.1%滿刻度(DC/Pt-100),0.2%滿刻度±0.5°C冷接點補償(TC)
(Accuracy 0.1% F.S.(DC/Pt-100),0.2% F.S.±0.5°C(CJC)(TC))
- 類比信號輸入種類(DCV/mV/mA/Pt-100/J/K/T/E/R/S/B)可任意規劃
(Input analog type (DCV/mV/mA/Pt-100/J/K/T/E/R/S/B) can be modified)
- 溫度感應器輸入斷線保護功能最大輸出電流小於≤21mA
(Burnout protection function, upscale the output current limit of approximately ≤21mA)
- 寬範圍兩線式電源輸入直流12至28伏特(Field-rangeable two-wire supply voltage from 12 to 28V)
- 輸出DC4~20mA負載能力強(Output DC4~20mA,RL(max.)=(Vsupply-12V)/20mA, up to 600 ohms at 24VDC)
- 輸入與輸出絕緣耐壓1.5仟伏特/1分鐘(Dielectric strength 1.5KVac/1min(input/output))

1.MODEL:SSMA-T □ (選購型號)

NO	Input Range	NO	Input Range
mV	DC0~±100mV	B	B(200~1800°C)
V	DC0~±10V	K	K(-200~1360°C)
mA	DC0~20mA(4~20mA)	R	R(0~1760°C)
P	Pt-100(-200~850°C)	S	S(0~1760°C)
E	E(-185~990°C)	T	T(-200~395°C)
J	J(-200~760°C)		

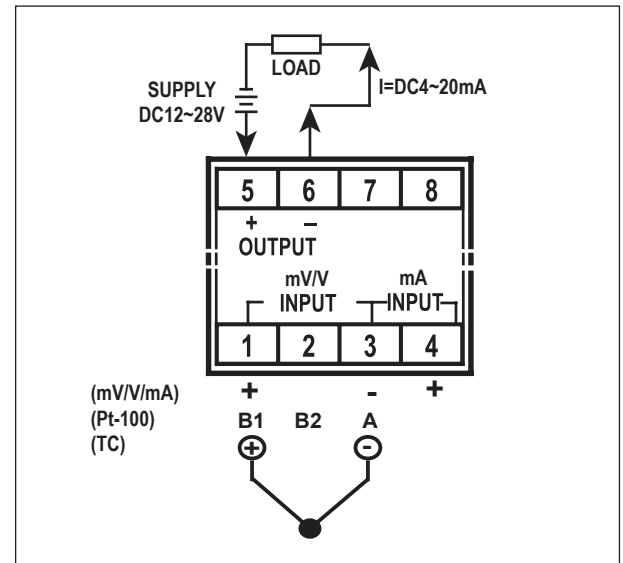
1-1 MODEL:HM-1(Handly meter for SSMA-T programable)

(選購型號)(SSMA-T 修改規格專用錶)

2.SPECIFICATION(主要規格)

- Supply voltage (輔助電源):DC12~28V(<21mA)
- Measuring accuracy (精確度)(23±5°C):0.1%F.S.(mV/V/mA/Pt-100)
0.2%F.S.±0.5°C(CJC)(Thermocouple)
- Cold junction compensation accuracy (熱電偶冷接點補償精確度):<±0.5°C(0~70°C)
- Sampling time (取樣時間):16cycles/sec.
- Analog output resolution (類比輸出解析度):16 bit DAC
- Output current (輸出電流):DC4~20mA
- Response time (輸出反應時間):<250ms(0~90%)
- Analog output zero-according display range:-19999~+99999 digit adjustable(use HM-1)
(最低輸出對應顯示值範圍)
- Analog output span-according display range:-19999~+99999 digit adjustable(use HM-1)
(最高輸出對應顯示值範圍)
- Output load capability (輸出負載能力):RL(max.)=(V supply-12V)/20mA
(up to 600 ohm at 24VDC)
- Output ripple(p-p) (輸出漣波):<0.1% F.S.
- Burnout protection (斷線保護):Upscale the output current limit
of approximately 21mA
- Zero(offset) range (歸零調整範圍):0~±6000 digit adjustable(use HM-1)
0~±2% F.S.(VR adjustable)
- Span(scale) range (最大值調整範圍):0~±6000 digit adjustable(use HM-1)
0~±5% F.S.(VR adjustable)
- Temp. coefficient (溫度係數):50ppm/°C (0~50°C)
- Memory mode (記憶型式):Non-volatile Flash memory
- Isolation (隔離特性):Input/Output/Case
- Dielectric strength (絕緣耐壓能力):1.5KVac/1 min.(input/output/case)
1200Vdc(input/output/case)
- Operating condition (使用環境條件):0~60°C (20 to 90% RH non-condensed)
- Storage condition (存放環境條件):0~70°C (20 to 90% RH non-condensed)
- Terminal type (接線端子型式):M3 screw terminal
- Construction (安裝方式):35mm DIN rail(EN50022)
- CE EMC Certification (CE 認證):EN 55022:1998/A1:2000 Class A
EN 61000-3-2:2000
EN 61000-3-3:1995/A1:2001
EN55024:1998/A1:2001

3.TERMINAL CONNECTION (接線圖)



4.DIMENSION(unit:mm) (外型尺寸)

