

# 交流電壓, 電流轉換器 ( AC CURRENT & VOLTAGE TRANSDUCER )

**MODEL  
PA**



## ■特點(FEATURES)

- 精確度0.25%滿刻度(RMS) (Accuracy 0.1%F.S.(TRMS),0.25%F.S.(RMS))
- 多種輸入,輸出選擇(Wide selection of input/output range)
- 輸入與輸出絕緣耐壓2仟伏特/1分鐘(Dielectric strength 2KVac/1min. (input/output/power))
- 沖擊電壓測試5仟伏特(1.2x50us)(Impuse test 5KV(1.2x50us)(IEC255-4,ANSI C37.90a/1974)
- 突波電壓測試2.5仟伏特(0.25ms/1MHz)(Surge test (ring wave)2.5KV(0.25ms/1MHz)(IEC255-4)
- 尺寸小,穩定性高(Dimension small and High stability)

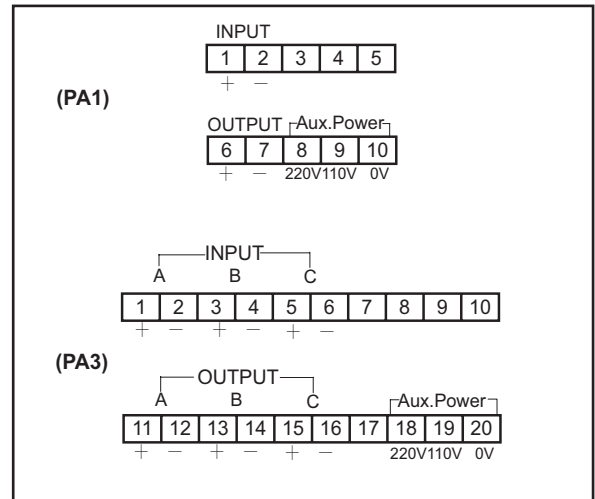
1:MODEL:PA □ - □ □ □ □ □  
(選購型號)

NO	Input Unit	NO	Input Type	NO	Input Range	NO	Frequency	NO	Output Range	NO	Output Range	NO	Aux. Power
1	1 unit	A	Voltage(RMS)	1	AC0~120V	A	50Hz	A	DC0~50mV	F	DC0~1mA	A	AC110V/220V
3	3 units	B	Current(RMS)	2	AC0~240V	B	60Hz	B	DC0~1V	G	DC0~10mA	B	AC/DC20~60V
		O	SPECIFIED	3	AC0~400V	C	400Hz	C	DC1~5V	H	DC0~20mA	C	AC/DC90~260V
				4	AC0~1A	D	SPECIFIED	D	DC0~10V	I	DC4~20mA		•Less 3VA for AC/DC input
				5	AC0~5A			E	DC2~10V	O	SPECIFIED		
				9	SPECIFIED		•Frequency±10%						

## 2:SPECIFICATION (主要規格)

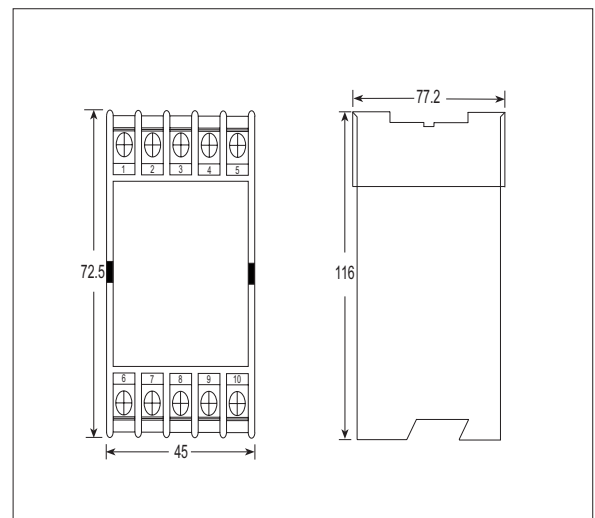
- Measuring accuracy : 0.25%F.S.(RMS) (23±5°C) (精確度)
- Input burden : <0.2VA(voltage) (輸入負載) <0.2VA(current)
- Maximum input over : Current related input:3 x rated continuous (最大過載能力) 10 x rated 30 sec. ,25 x rated 3sec. 50 x rated 1sec. Voltage related input:maximum 2x rated continuous
- Response time : <250ms (0~90%) (輸出反應時間)
- Output drive capability : <10mA for voltage mode (輸出負載能力) <10V for current mode
- Output ripple(p-p) : <0.1% F.S. (輸出漣波)
- Zero (offset) range : 0~±5% F.S. (歸零調整範圍)
- Span (scale) range : 0~±10% F.S. (最大值調整範圍)
- Temp. coefficient : 100ppm/°C (0~50°C) (溫度係數)
- Isolation : Input/Output/Power/Case (隔離特性)
- Insulation Resistance : >100M ohm with 500V DC (絕緣阻抗)
- Dielectric strength : 2KVac/1 min. (input/output/power) (絕緣耐壓能力)
- Impulse test : ANSI C37.90a/1974,DIN-IEC 255-4 (衝擊電壓測試) impulse voltage 5KV (1.2 x 50us)
- Surge test(ring wave) : 2.5KV-0.25ms/1MHz(IEC255-4) (突波電壓測試)
- Operating condition : -20~60°C (20 to 90% RH non-condensed) (使用環境條件)
- Storage condition : -30~70°C (20 to 90% RH non-condensed) (存放環境條件)
- CE EMC Certification : EN 55022:1998/A1:2000 Class A (CE認證) EN 61000-3-2:2000 EN 61000-3-3:1995/A1:2001 EN 55024:1998/A1:2001

## 3.Terminal connection(接線圖)



## 4.Dimension(unit:mm)(外型尺寸)

•PA1



•PA3 see PW Transducer dimension